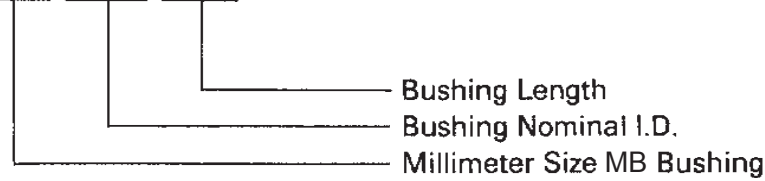


FBJ®

MB Bushing

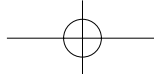
MB ○ ○ ○



Bushing I.D	Tolerances		Bushing Number and Bushing Length (mm)								
	Housing Dia.	Shaft Dia.	3	4	5	6	7	8	10	12	15
3	5H7 $\begin{smallmatrix} +0.012 \\ 0 \end{smallmatrix}$	3 $\begin{smallmatrix} -0.025 \\ -0.035 \end{smallmatrix}$	MB0303	MB0304	MB0305	MB0306					
4	6 "	4 $\begin{smallmatrix} -0.025 \\ 0.037 \end{smallmatrix}$		MB0404		MB0406		MB0408			
5	7H7 $\begin{smallmatrix} +0.015 \\ 0 \end{smallmatrix}$	5 "		MB0504	MB0505	MB0506		MB0508			
6	8 "	6 "			MB0605	MB0606	MB0607	MB0608	MB0610		
7	9 "	7 $\begin{smallmatrix} -0.025 \\ -0.040 \end{smallmatrix}$			MB0705		MB0707		MB0710	MB0712	
8	10 "	8 "			MB0805	MB0806	MB0807	MB0808	MB0810	MB0812	
9	11H7 $\begin{smallmatrix} +0.018 \\ 0 \end{smallmatrix}$	9 "							MB0910		
10	12 "	10 "				MB1006	MB1007	MB1008	MB1010	MB1012	MB1015
12	14 "	12 $\begin{smallmatrix} -0.025 \\ -0.043 \end{smallmatrix}$				MB1206		MB1208	MB1210	MB1212	MB1215
13	15 "	13 "						MB1308	MB1310		MB1315
14	16 "	14 "							MB1410	MB1412	MB1415
15	17 "	15 "						MB1508	MB1510	MB1512	MB1515
16	18 "	16 "							MB1610	MB1612	MB1615
17	19H7 $\begin{smallmatrix} +0.021 \\ 0 \end{smallmatrix}$	17 "									MB1715
18	20 "	18 "							MB1810	MB1812	MB1815
19	22 "	19 $\begin{smallmatrix} -0.025 \\ -0.046 \end{smallmatrix}$							MB1910		MB1915
20	23 "	20 "							MB2010	MB2012	MB2015
22	25 "	22 "							MB2210	MB2212	MB2215
24	27 "	24 "									MB2415
25	28 "	25 "							MB2510	MB2512	MB2515
26	30 "	26 "									MB2615
28	32H7 $\begin{smallmatrix} +0.025 \\ 0 \end{smallmatrix}$	28 "								MB2812	MB2815
30	34 "	30 "								MB3012	MB3015
31	35 "	31 $\begin{smallmatrix} -0.025 \\ -0.050 \end{smallmatrix}$									MB3115
32	36 "	32 "									
35	39 "	35 "								MB3512	
38	42 "	38 "									
40	44 "	40 "								MB4012	MB4015
45	50 "	45 "									
50	55H7 $\begin{smallmatrix} +0.030 \\ 0 \end{smallmatrix}$	50 "									
55	60 "	55 $\begin{smallmatrix} -0.025 \\ -0.055 \end{smallmatrix}$									
60	65 "	60 "									
65	70 "	65 $\begin{smallmatrix} +0.035 \\ +0.005 \end{smallmatrix}$									
70	75 "	70 "									
75	80 "	75 "									
80	85H7 $\begin{smallmatrix} +0.035 \\ 0 \end{smallmatrix}$	80 "									
85	90 "	85 $\begin{smallmatrix} +0.035 \\ 0 \end{smallmatrix}$									
90	95 "	90 "									
100	105 "	100 "									
110	115 "	110 "									
120	125H7 $\begin{smallmatrix} +0.040 \\ 0 \end{smallmatrix}$	120 "									
130	135 "	130 $\begin{smallmatrix} +0.035 \\ 0.005 \end{smallmatrix}$									
140	145 "	140 "									
150	155 "	150 "									
160	165 "	160 "									

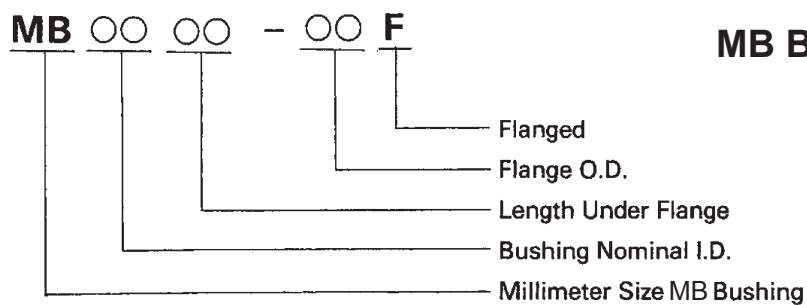
Note: For standard bushing, min. clearance is 0.025mm.

MB Bushing



FBJ®

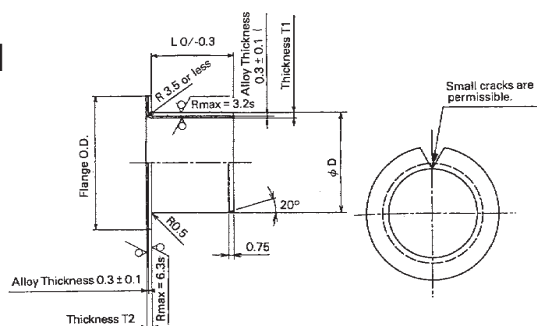
MB Bushing-Flanged



Bushings		Tolerances		Thickness		Bushings Number and Bushing Length (mm)					
I.D.	Flanged O.D.	Housing Dia.	Shaft Dia.	Bushing T1	Flanged T2	3	4	5	6	7	
3	7	4.6H7 ^{+0.012} / ₀	3 ^{-0.025} / _{-0.035}	0.8 ⁰ / _{-0.25}	0.8 ⁰ / _{-0.15}	MB0303-7F					
4	9	5.6	4 ^{-0.025} / _{-0.037}			MB0404-9F					
5	10	7H7 ^{+0.015} / ₀	5	1.0 ⁰ / _{-0.25}	1.0 ⁰ / _{-0.15}	MB0504-10F		MB0505-10F			
6	12	8	6					MB0605-12F		MB0606-12F MB0607-12F	
7	13	9	7 ^{-0.025} / _{-0.040}					MB0705-13F		MB0707-13F	
8	15	10	8							MB0806-15F	
10	18	12H7 ^{+0.018} / ₀	10							MB1006-18F MB1007-18F	
12	20	14	12 ^{-0.025} / _{-0.430}							MB1206-20F	
14	22	16	14								
15	23	17	15								
16	24	18	16								
18	26	20H7 ^{+0.021} / ₀	18								
20	31	23	20 ^{-0.025} / _{-0.046}	1.5 ⁰ / _{-0.030}	1.5 ⁰ / _{-0.15}						
22	33	25	22								
24	35	27	24								
25	36	28	25								
26	38	30	26	2.0 ⁰ / _{-0.030}	2.0 ⁰ / _{-0.15}						
28	40	32H7 ^{+0.025} / ₀	28								
30	42	34	30								
31	45	35	31 ^{-0.025} / _{-0.050}								
32	46	36	32								
35	49	39	35								
38	52	42	38								
40	54	44	40								
45	60	50	45	2.5 ⁰ / _{-0.040}	2.5 ⁰ / _{-0.15}						
50	65	55H7 ^{+0.030} / ₀	50								
55	70	60	55 ^{-0.025} / _{-0.055}								
60	75	65	65								

MB Bushing

MB Bushing-Flanged



Bushings of O.D. 10mm or under or bushing length 7mm or under are not chamfered.

Bushing Number and Bushing Length (mm)

8	10	12	15	20	25	30	40	50	60
MB0608-12F	MB0610-12F								
	MB0710-13F	MB0712-13F							
MB0808-15F	MB0810-15F	MB0812-15F							
MB1008-18F	MB1010-18F	MB1012-18F	MB1015-18F						
MB1208-20F	MB1210-20F	MB1212-20F	MB1215-20F	MB1220-20F					
	MB1410-22F	MB1412-22F	MB1415-22F	MB1420-22F					
	MB1510-23F	MB1512-23F	MB1515-23F	MB1520-23F	MB1525-23F				
	MB1610-24F	MB1612-24F	MB1615-24F	MB1620-24F	MB1625-24F				
	MB1810-26F	MB1812-26F	MB1815-26F	MB1820-26F	MB1825-26F				
	MB2010-31F	MB2012-31F	MB2015-31F	MB2020-31F	MB2025-31F	MB2030-31F			
	MB2210-33F	MB2212-33F	MB2215-33F	MB2220-33F	MB2225-33F				
			MB2415-35F	MB2420-35F	MB2425-35F	MB2430-35F			
	MB2510-36F	MB2512-36F	MB2515-36F	MB2520-36F	MB2525-36F	MB2530-36F			
			MB2615-38F	MB2620-38F					
		MB2812-40F	MB2815-40F	MB2820-40F		MB2830-40F			
		MB3012-42F	MB3015-42F	MB3020-42F	MB3025-42F	MB3030-42F	MB3040-42F		
						MB3125-45F			
					MB3220-46F	MB3225-46F	MB3230-46F		
		MB3512-49F			MB3520-49F	MB3525-49F	MB3530-49F	MB3540-49F	MB3550-49F
					MB3820-52F		MB3830-52F	MB3840-52F	
		MB4012-54F			MB4020-54F	MB4025-54F	MB4030-54F	MB4040-54F	MB4050-54F
					MB4520-60F	MB4525-60F	MB4530-60F	MB4540-60F	MB4550-60F
					MB5020-65F		MB5030-65F	MB5040-65F	MB5060-65F
							MB5530-70F	MB5540-70F	MB5560-70F
							MB6030-75F	MB6040-75F	MB6060-75F

MB Bushing